

**[ E[M]CONOMY ]**  
means:

**emco** group

Designed for your profit



## **Design to Cost.** **EMCOMILL E350**

**3 axes CNC milling machines for the machining  
of small to medium lot sizes**

# EMCOMILL E350

EMCOMILL E350 with a travel in X of 350 mm: the answer to challenging CNC milling for small to medium lot sizes at a very attractive price-performance ratio. With a fixed, 20-station tool magazine, tool changer with dual-gripper arm, a mechanical main spindle with 10000 rpm.

## [ Tool magazine ]

- 20-station tool magazine
- Tool changer with dual-gripper arm

## [ Control unit ]

- State-of-the-art control technology from Siemens
- Compact control design
- Simple data transfer, either via ethernet, USB connection or CF memory card
- Simple programming with ShopMill user interface or in ISO format

## [ Main drive ]

- Main drive speed continuously variable
- Powerful main motor
- Main spindle bearings greased for life time
- Grease lubricated for its life time

## [ Machine construction ]

- Stable, gray cast-iron construction
- Roller guides in X/Y/Z with automatic central oil lubrication

## [ Machine stand ]

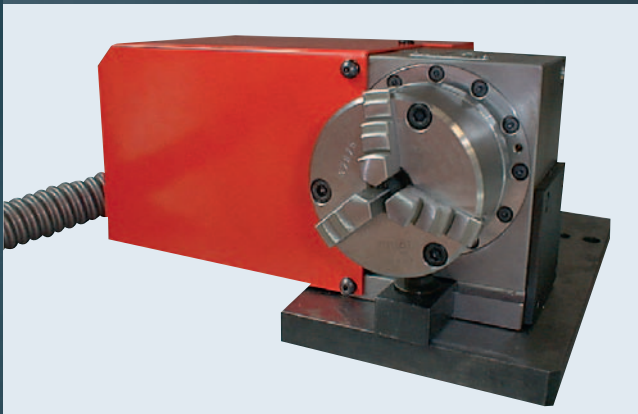
- Stable construction



# [Engineering]

## Highlights

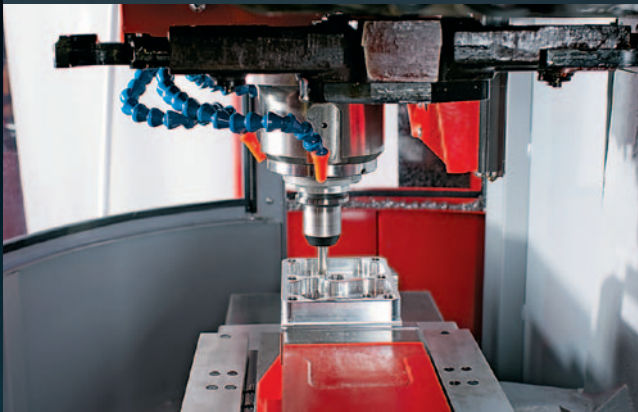
- Extreme thermostability
- Extreme machining precision
- Mechanical spindle
- State-of-the-art control technology from Siemens
- JobShop programming software
- Fairly priced
- Made in the Heart of Europe



An optional 80 or 100 mm-diameter rotary table can be fitted as a 4<sup>th</sup> axis. The rotary table is CNC-controlled and can be interpolated with any linear axis (X, Y, Z).



Drum-type magazine with 20 tool positions



Dual-grripper arm and 'random' tool selection; mechanical spindle with high performance drive - 10000 rpm with 6,8 kW.



The control is built into the machine casing to keep the machine's outer dimensions as small as possible.

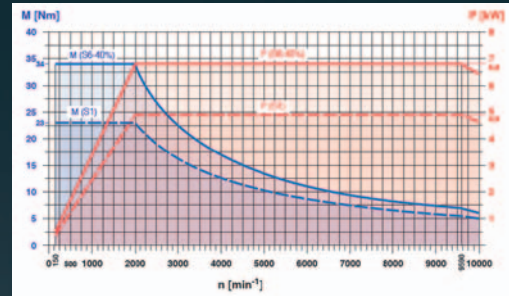
# [Engineering]

## Options

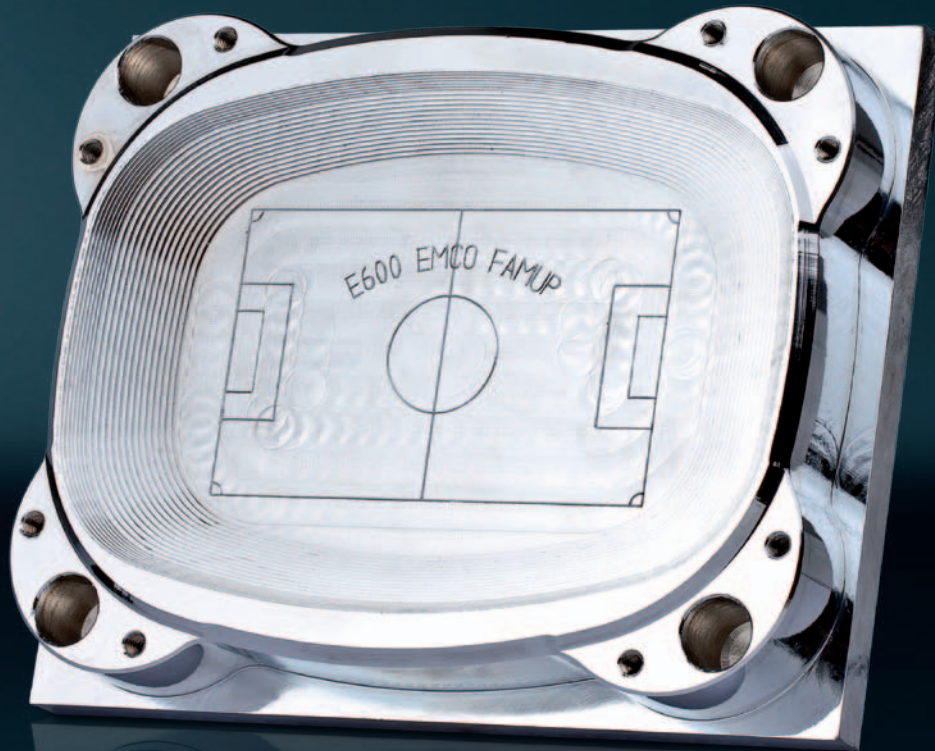
- 4<sup>th</sup> axis
- Electronic handwheel
- Automatic tool and workpiece measurement
- Automatic door
- Triple indicator lamp

## Drive Performance

Performance and torque diagram  
Main spindle (Siemens)



# [Workpieces]



Milling head  
(Tempered steel)

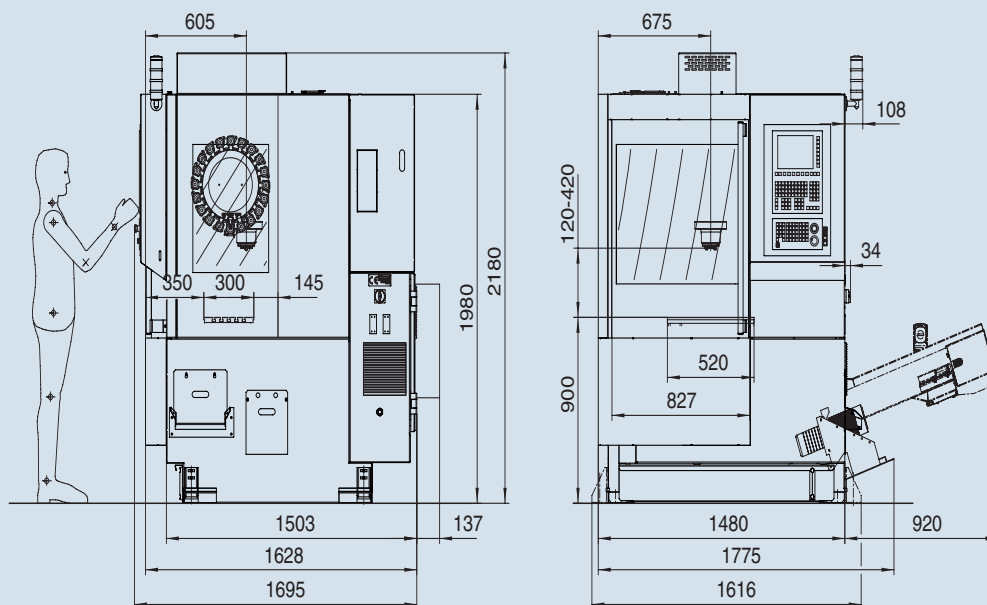


Cylinder head  
(Aluminium)



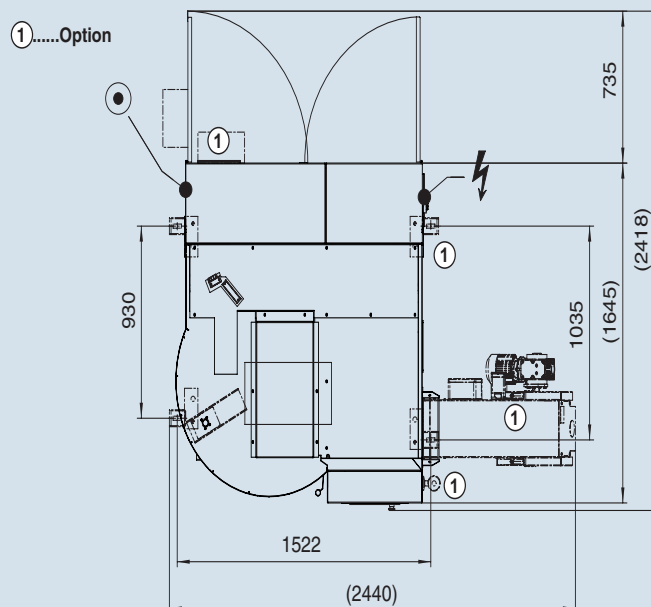
Material sample / steel industry  
(Titanium alloy)

## Machine layout



Details in millimeters

## Machine layout



Details in millimeters

# [Technical data]

**emco**group

Designed for your profit

## EMCOMILL E350

Work area	
Travel in X	350 mm (13.8")
Travel in Y	250 mm (9.8")
Travel in Z	300 mm (11.8")
Min. clearance spindle nose – table	120 mm (4.7")
Max. clearance spindle nose – table	420 mm (16.5")
Table	
Clamping Area	500 x 300 mm (19.7 x 11.8")
T-groove: number, size, clearance	5 x 45 x 100 mm (0.2 x 1.8 x 3.9")
Max. table load	100 kg ( 2220.5 lb)
Table - floor distance	880 mm (34.6)
Spindle	
Speed range	50 – 10000 rpm
Spindle motor power	6.8 kW (9.11 hp) (S6)
Spindle torque	34 Nm (S6)
Tool taper (DIN 69871)	ISO 30
Drive	Direct drive

Tool change	
Number of tool stations	20
Tool selection	Random selection
Max. tool diameter (without adjacent tools)	63 mm (80 mm) (2.5" (3.1"))
Max. tool length	200 mm (7.9")
Max. tool weight	5 kg (11.0 lb)
Time for tool change (tool / tool)	2,5 s
General Data	
Power supply	9 kVA
Dimensions W x P x H	1600 x 1700 x 1980 (63.0 x 66.9 x 77.9")
Weight	1970 kg (4343.1 lb)
Required compressed air	6 bar



EN7185 - 05/16 - Modifications reserved. We cannot accept any liability for printing errors

[www.emco-world.com](http://www.emco-world.com)